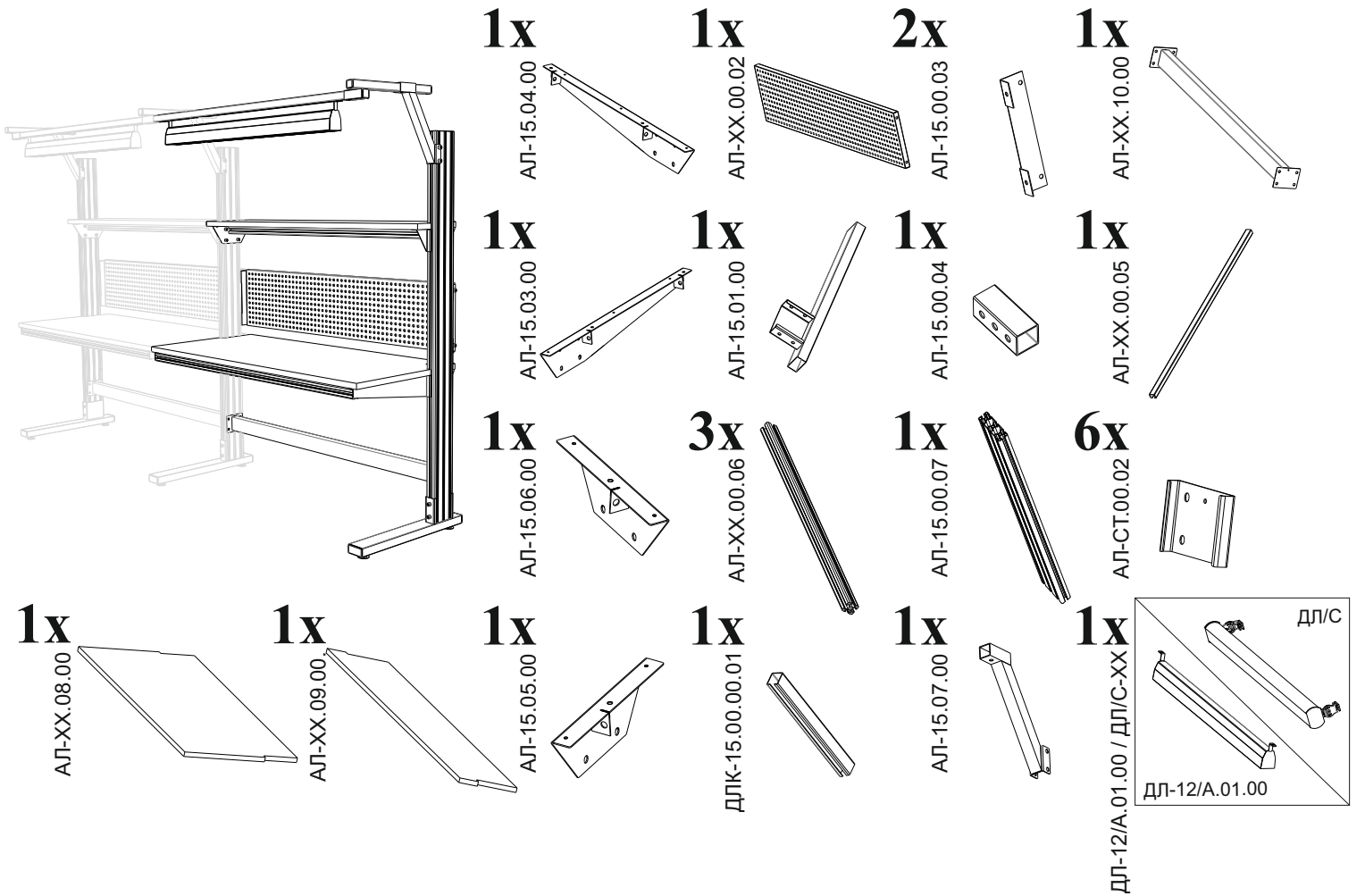
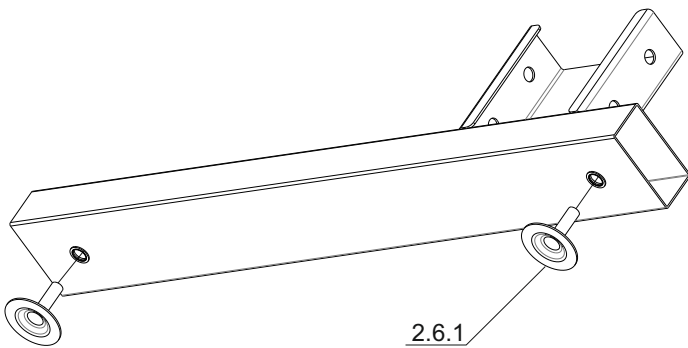


# VIKING

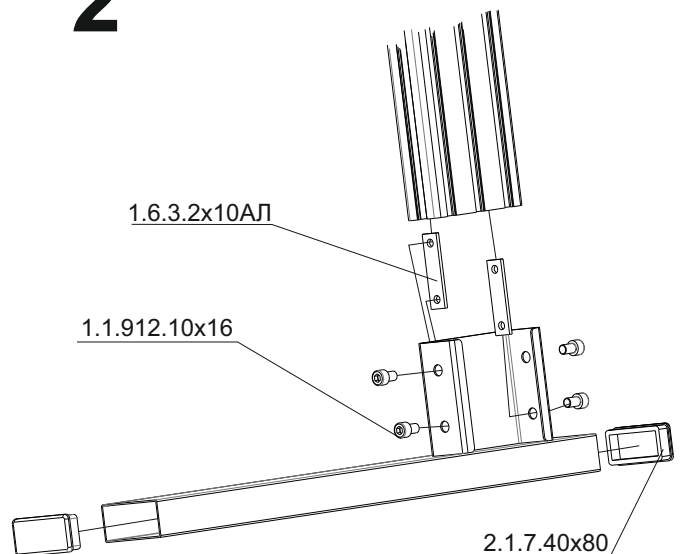


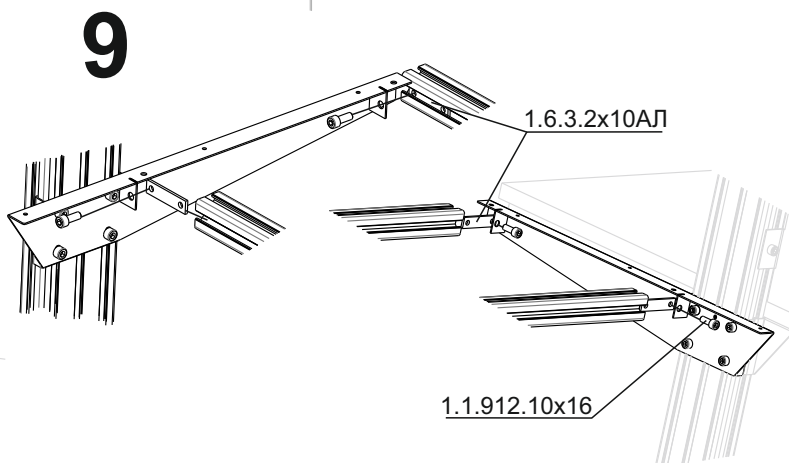
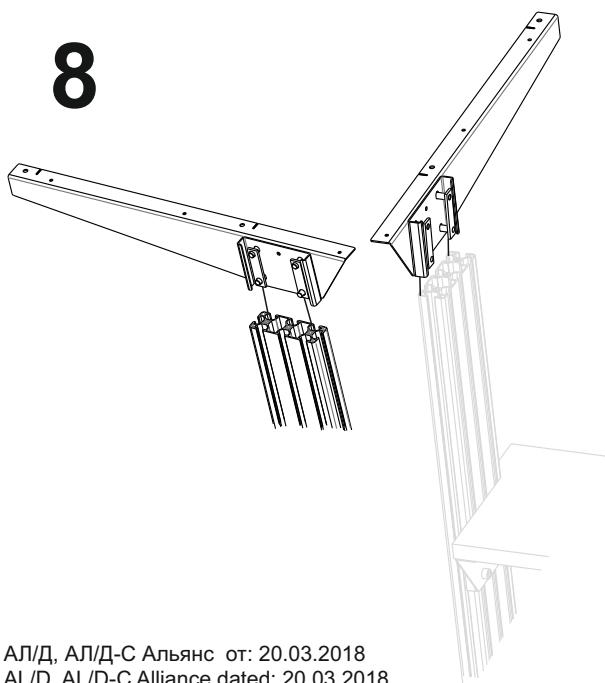
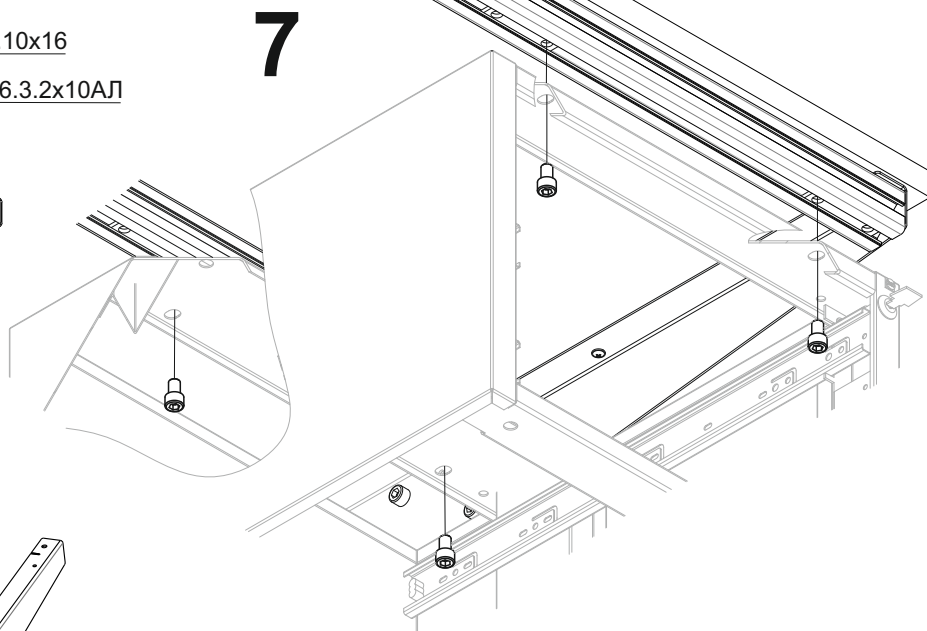
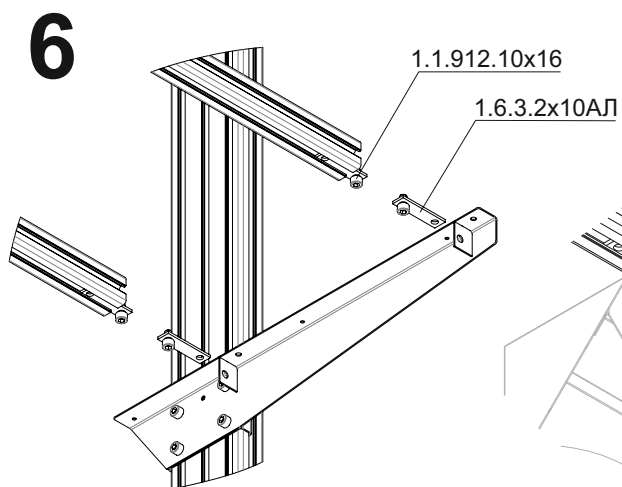
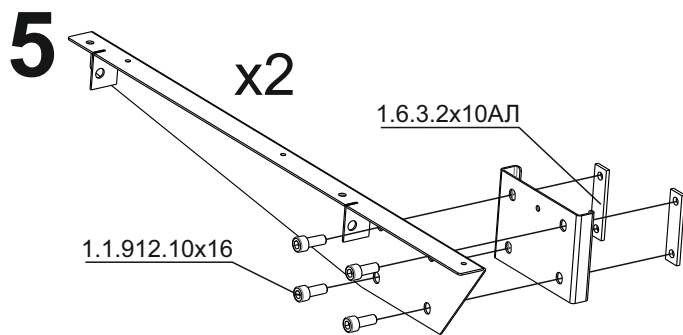
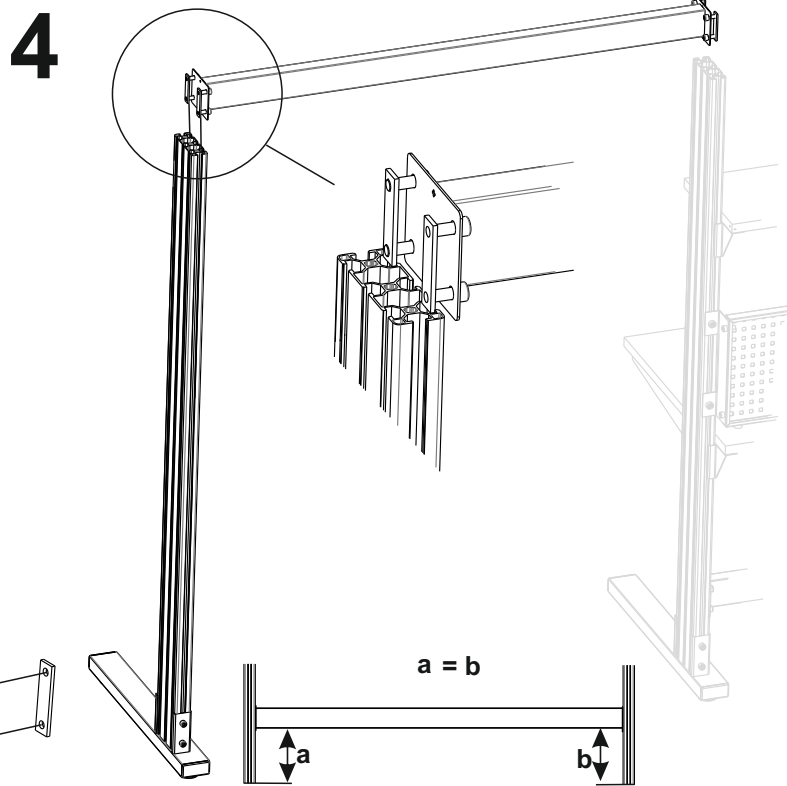
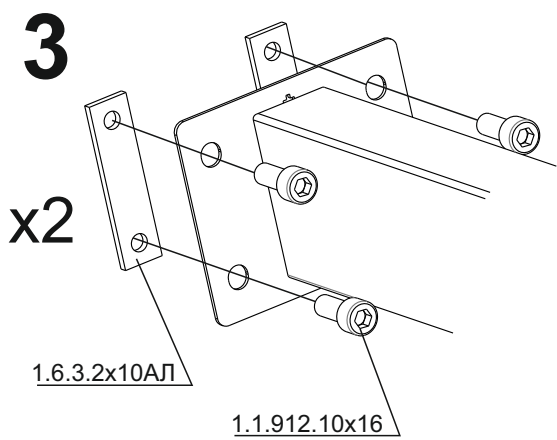
26x 1.6.3.2x10АЛ АЛ	10x 1.6.4.1x10АЛ АЛ	52x 1.1.912.10x16	1x 1.1.912.10x60	10x 1.3.7.4x16	12x 1.3.6.5x55	2x 2.1.7.40x80	2x 2.1.4.35x35	1x 2.1.20.135x45	2x 2.6.1	1x 3.1.1.1
---------------------------	---------------------------	----------------------	---------------------	-------------------	-------------------	-------------------	-------------------	---------------------	-------------	---------------

1

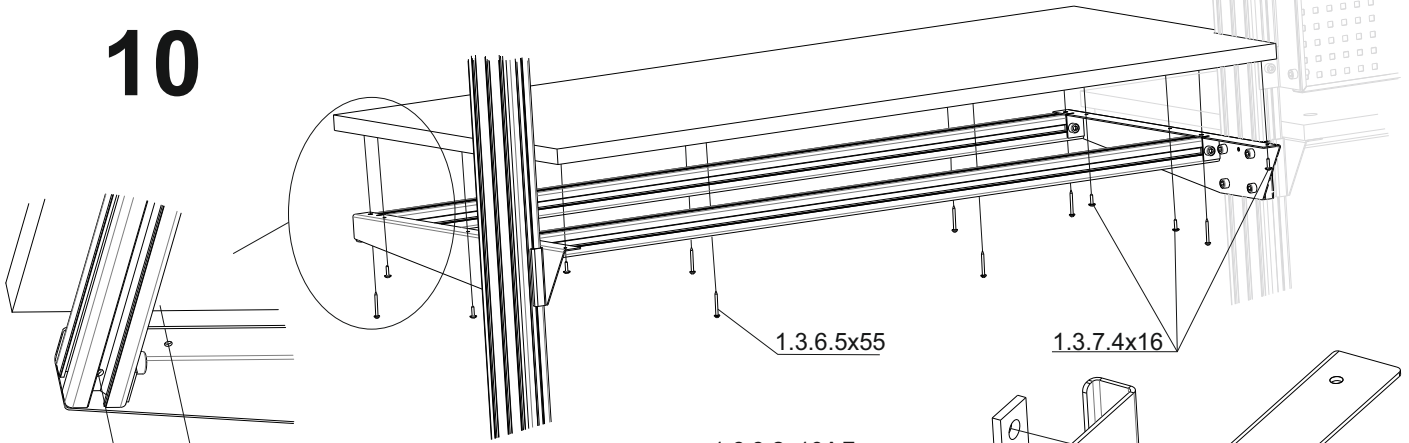


2





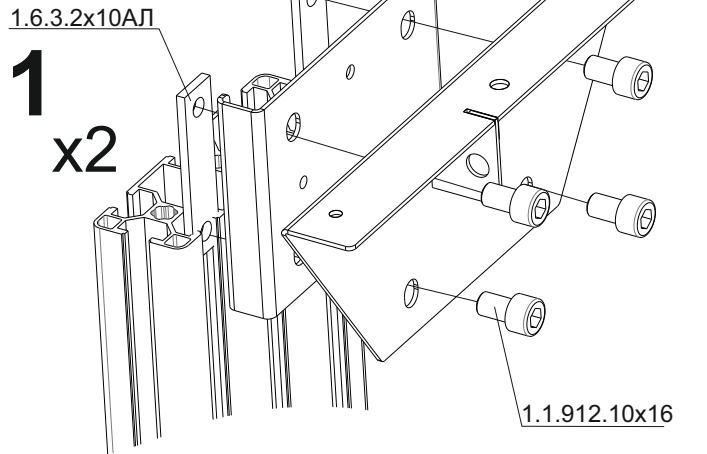
# 10



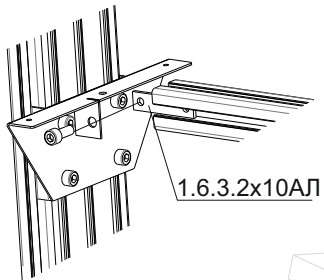
1.3.7.4x16  
1.3.6.5x55

# 11

x2



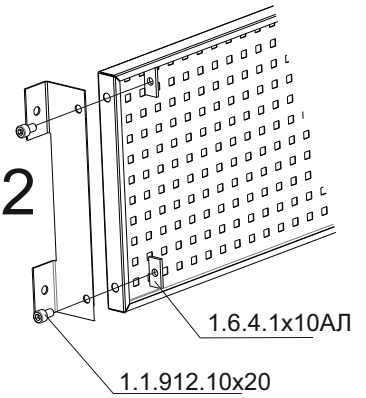
# 12



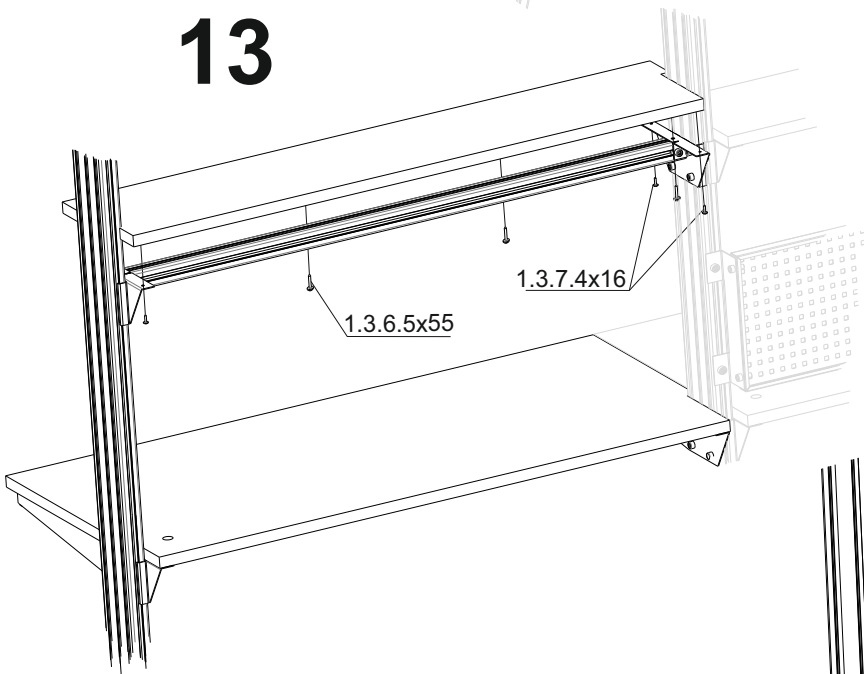
1.1.912.10x16

# 14

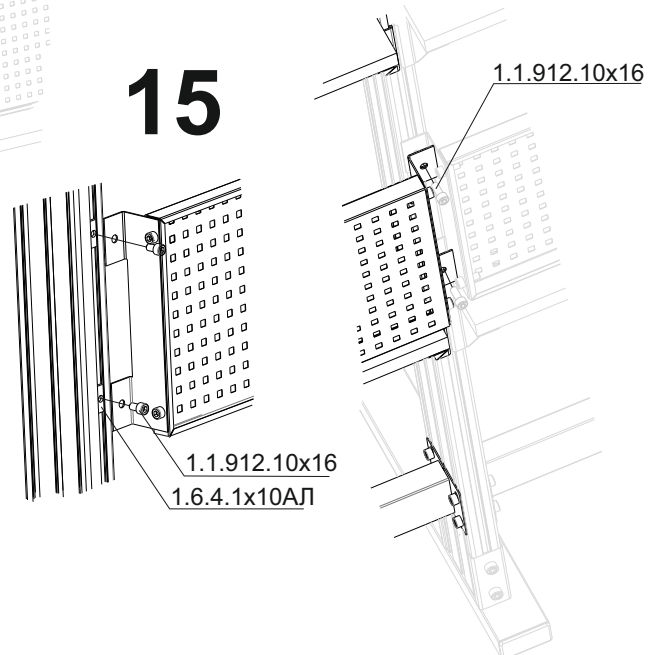
x2



# 13

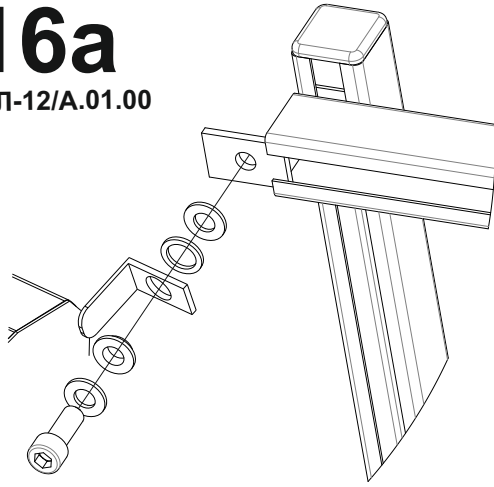


# 15



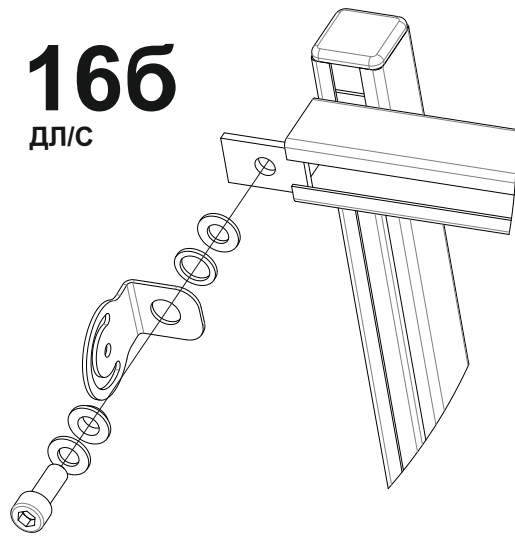
# 16a

ДЛ-12/А.01.00



# 166

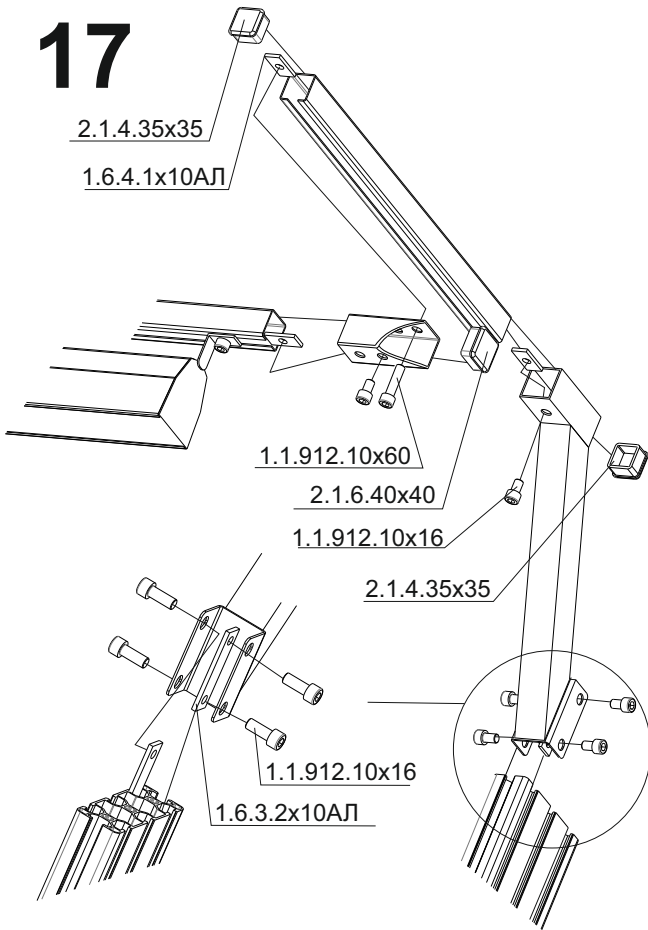
ДЛ/С



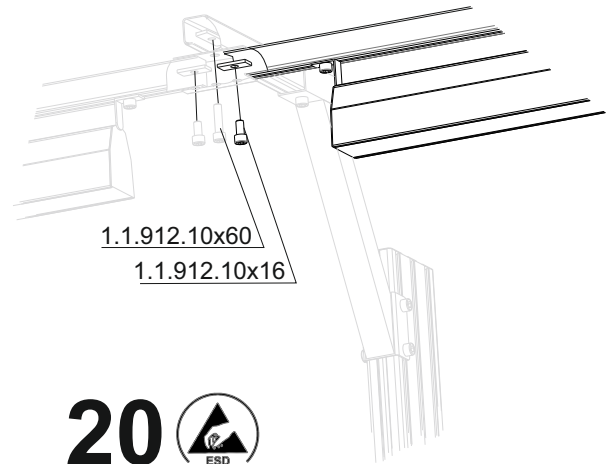
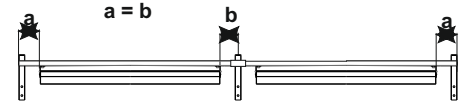
# 17

2.1.4.35x35

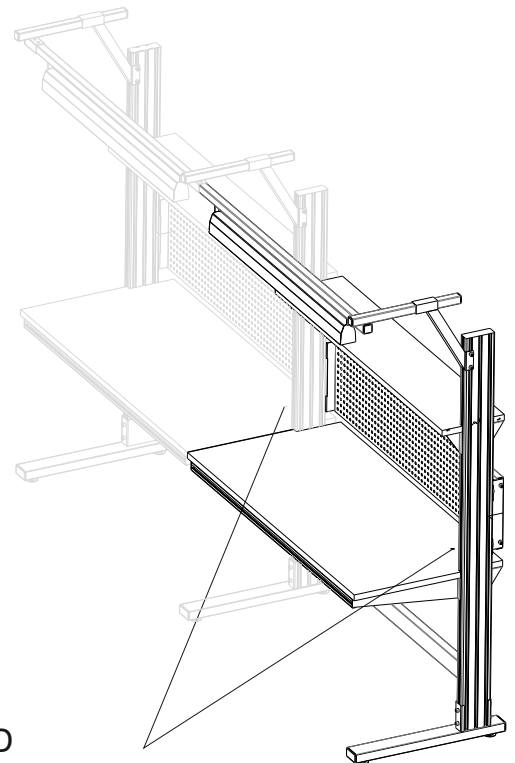
1.6.4.1x10АЛ



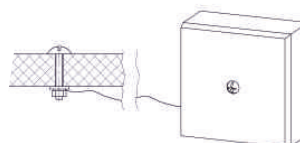
# 18



# 20



ESD



# 19

2.1.20.135x45

